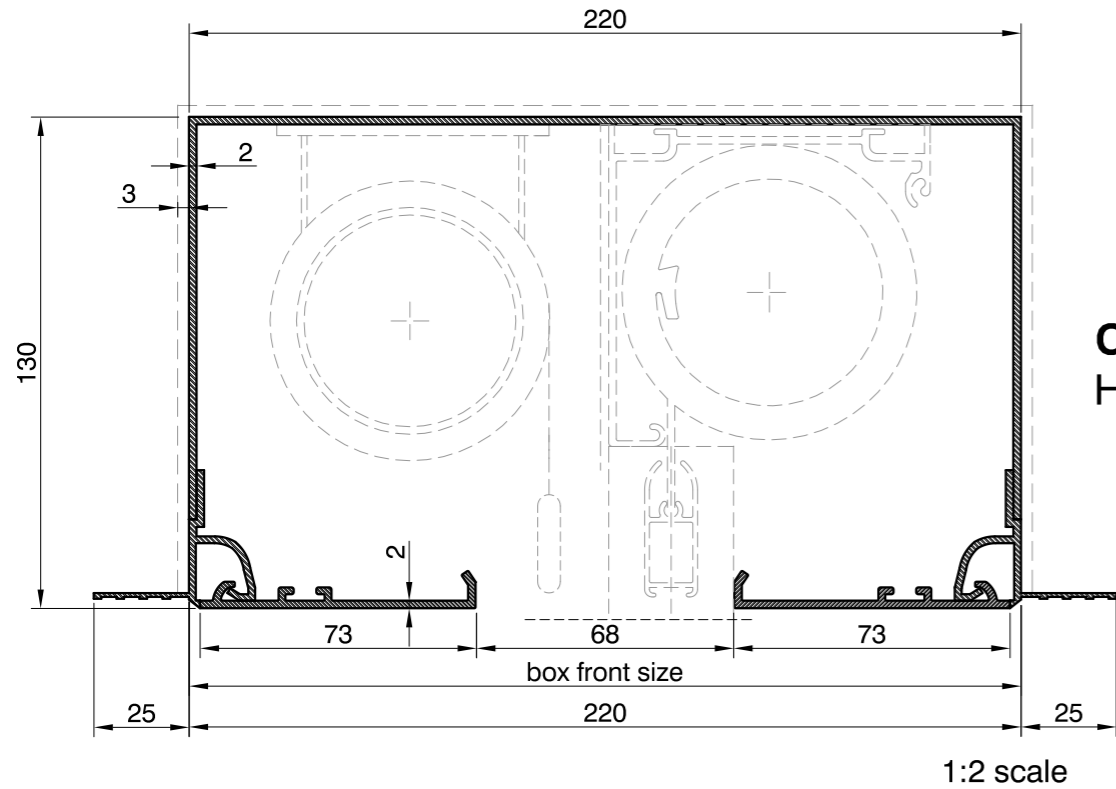
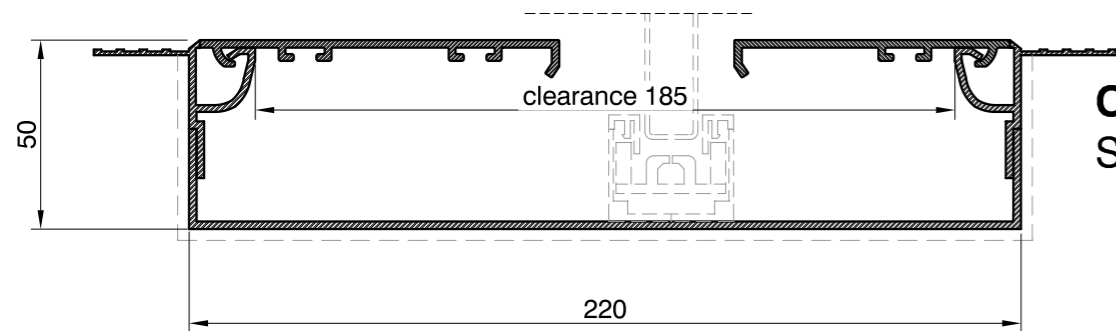


# Blindspace® C220x130 & C220x50

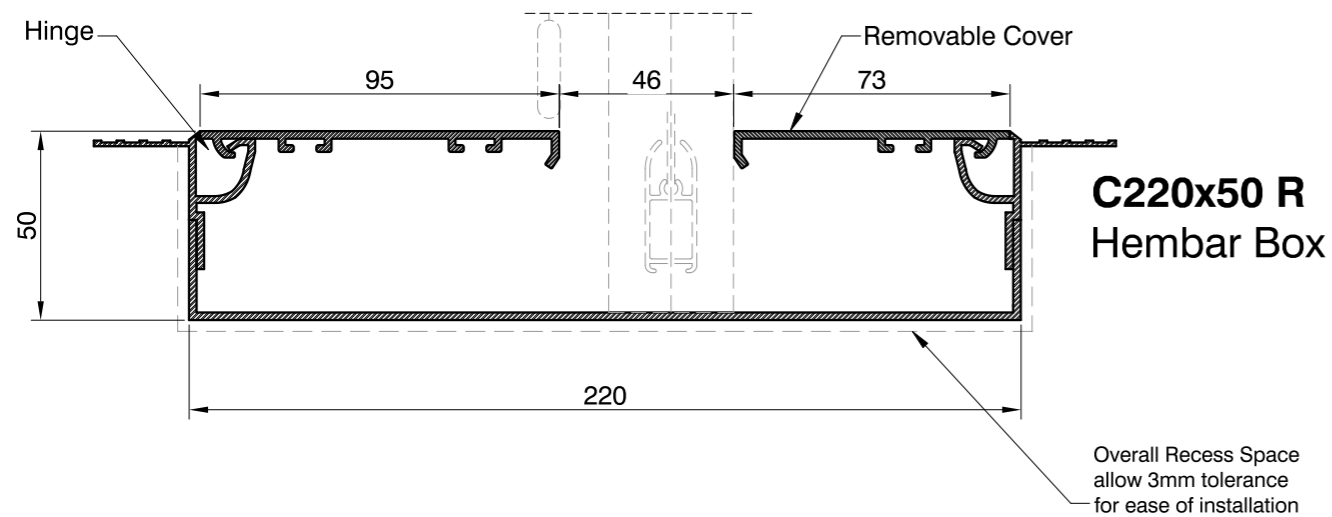
## for Large Roller Blind and SHY 85/60 ZIP 240v



**C220x130 R**  
Head Box



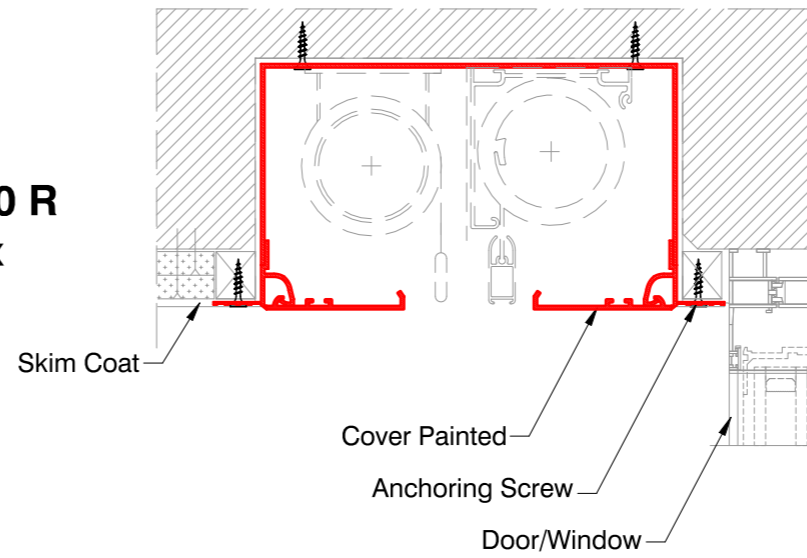
**C220x50 R**  
Side Box



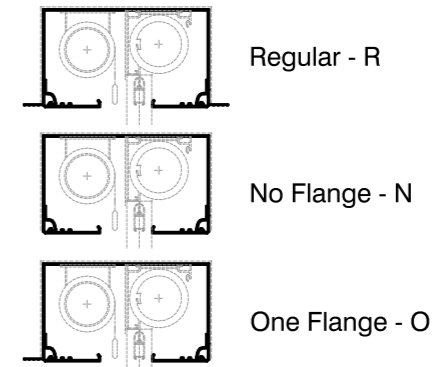
**C220x50 R**  
Hembar Box

### SAMPLE INSTALLATION DETAIL

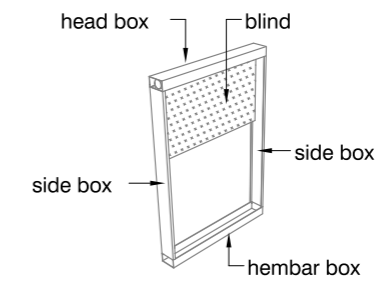
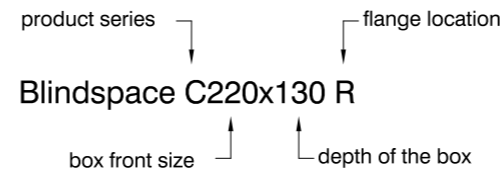
INSTALLATION NOTE:  
Make sure there is space for window/door handles.  
Boxes and blinds can also be mirrored in vertical plane for opening towards the room.



### SKIM COAT FLANGES LOCATION OPTIONS

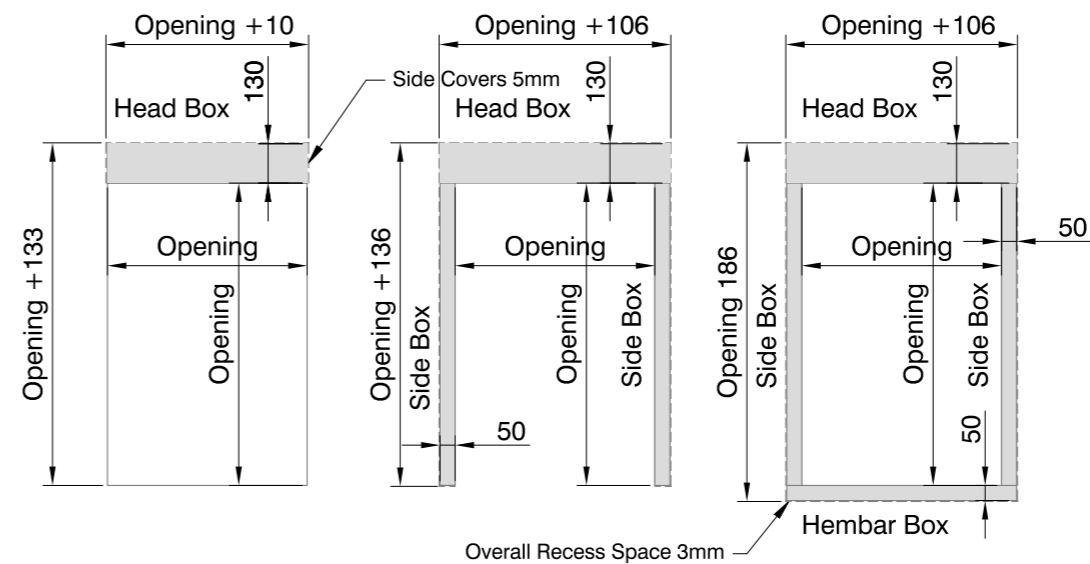


### PRODUCT REFERENCE

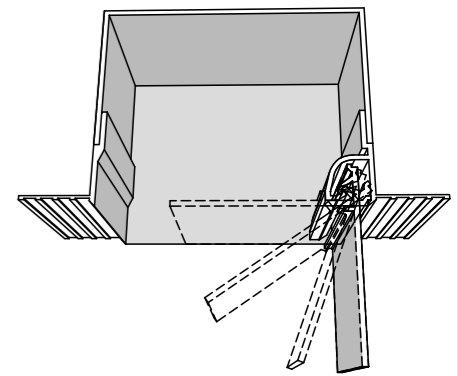


Top down configuration of blinds is shown.  
Bottom up configuration is also possible.  
For bottom up configuration the frame layout should be mirrored in horizontal plane.

### FRAME LAYOUT OPTIONS



Product	Blindspace C220x130
Description	Recessed aluminium boxes and covers designed to conceal window blinds.
Material	Anodized Aluminium, grade: front plate: EN 6063 T6 back plate: EN AW-1050A H14/H24
Finishes	- Unfinished for site painting - Primed for site painting - Pre-finished to RAL colour
Blind sizes	Blind Sizes to fit inside the box: Large Standard Roller Blind and SHY 85/60 ZIP 240v with 36mm hem bar Exact size depending on fabric and hembar selection. Opening Width max: 2900mm Opening Height max: 3000mm
Installation	Boxes should be fixed on both sides. The finished plaster level should be flush with chamfered edge. Anchoring countersink screws through skim coat flanges are recommended.
Drawing	Custom Blindspace Boxes C220x130 for Window Blinds
Item name	C220x130, C220x50
Date	November, 2019
Notes	Dimensions in mm Do not scale from drawing
Drawn by	M. Kozak, B. Dzieza
Approved	A. Sundelin
Revision	R-0: first issue R-1: sample installation detail



Print date	2019-11-07
Print file	blindspace c220x130 for windows with large std and shy 85-60 v04.dwg
Page size	ISO A3 420x297
Remarks	