

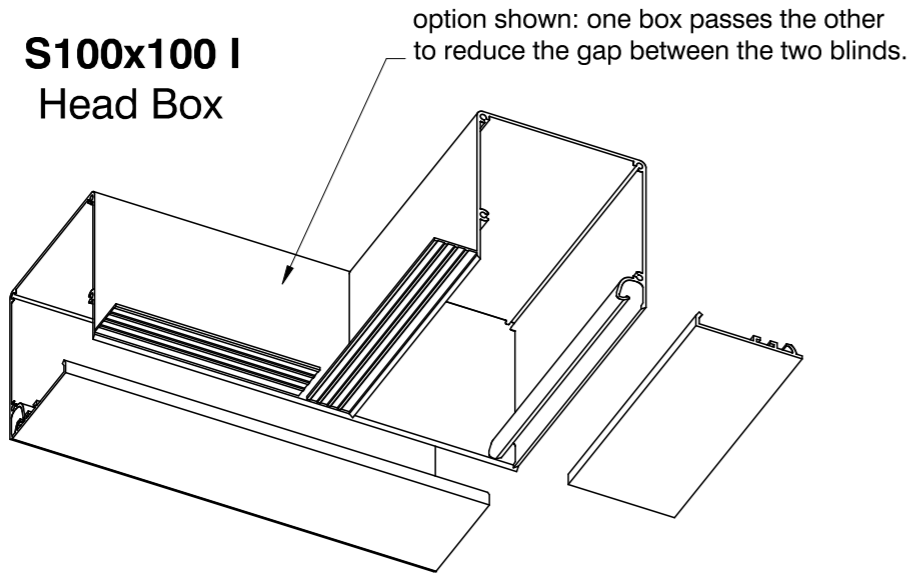
Blindspace® S100x100

sample installation with BUTTED BOXES AND COVERS

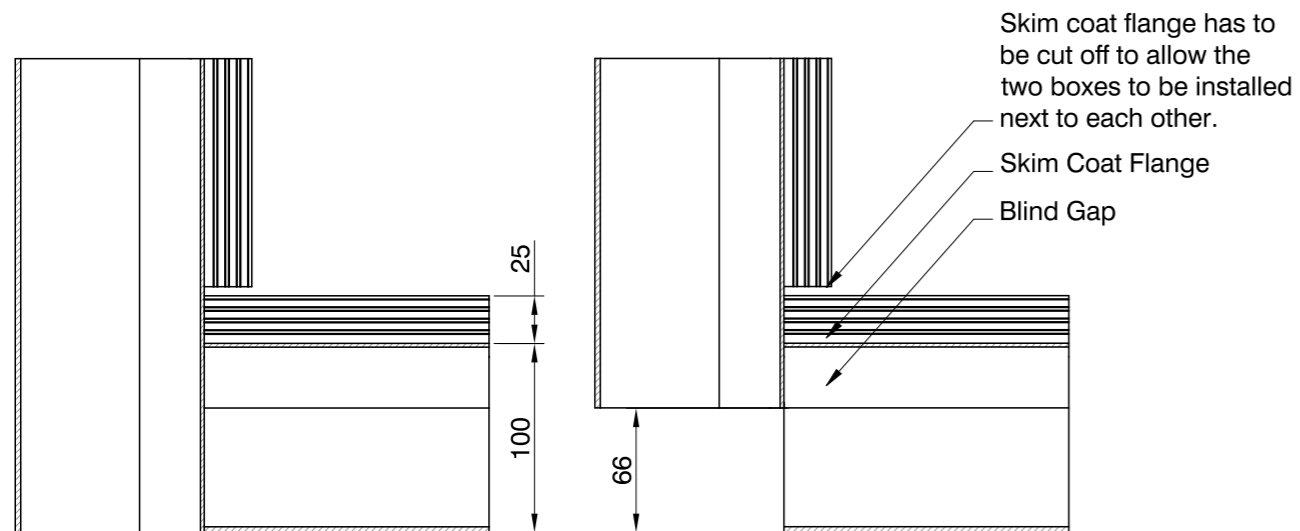
The most straight forward way to install Blindspace in a corner is with two individual boxes. No adjustments of boxes, or covers, are needed. Should the corner not be exactly 90 degrees, box position can easily be adjusted. The boxes can both stop at the same point or one box can pass the other to reduce the gap between the two blinds.

Shown S100x100I with skim coat flange and gap both towards room side.

1:4 scale

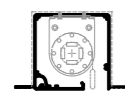


POSSIBLE LAYOUTS (ceiling plan view)

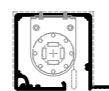


1:4 scale

SKIM COAT FLANGES LOCATION OPTIONS



Regular - R



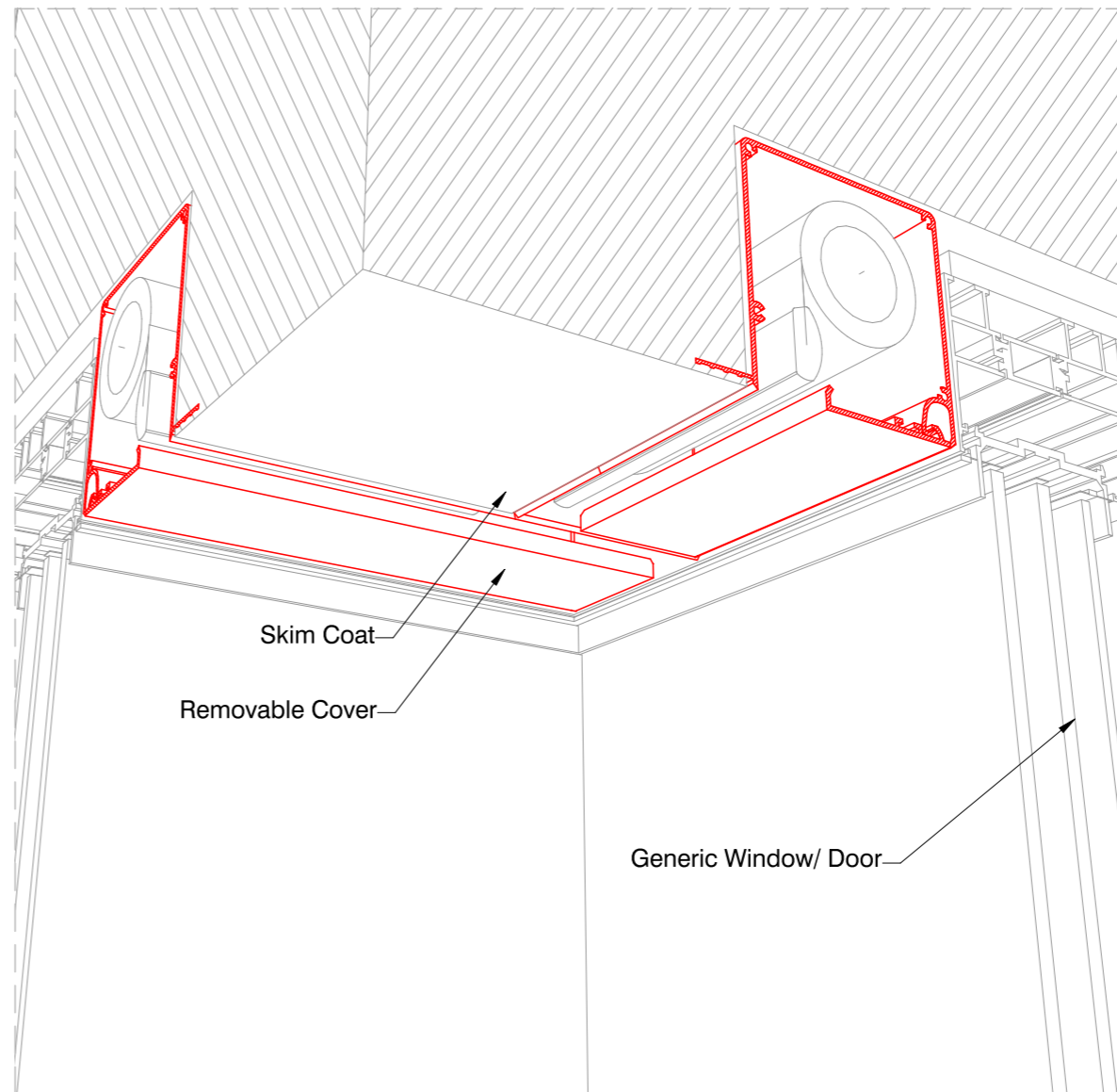
Idle Corner Flange - I

NOTE: The skim coat flange overlapping the adjacent box, has to be cut off to allow the two boxes to be installed next to each other.

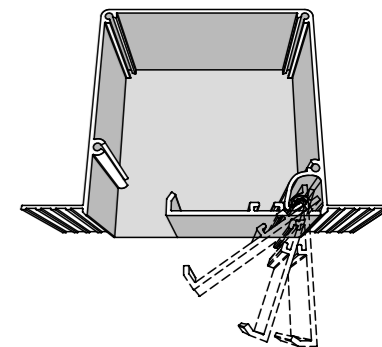
DISCLAIMER:
Note that the architectural detail is shown for reference only and might not show proper solution for a specific building application. All architectural details shown shall not be used for construction, and shall be drawn by an architect accordingly to a specific building section. Drawing intent shows possible placement of Blindspace® and/or Reese™ products within generic drywall application.

SAMPLE INSTALLATION DETAIL

no scale, perspective



Product	Blindspace S100x100 Butted
Description	Recessed extruded aluminium boxes and covers designed to conceal window blinds.
Material	Anodized Aluminium, grade: EN 6063 T6
Finishes	- Unfinished for site painting - Primed for site painting - Pre-finished to RAL colour
Blind sizes	Blind Sizes to fit inside the box: Size depending on roller blind, fabric and hembar selection. Butted details does not affect opening size. Please refer to specific drawings.
Installation	Boxes should be fixed on both sides. The finished plaster level should be flush with chamfered edge. Anchoring countersink screws through skim coat flanges are recommended.
Drawing	Standard Blindspace Boxes S100x100 Mitered Sample Instalation
Item name	S100x100I
Date	September, 2019
Notes	Dimensions in mm Do not scale from drawing
Drawn by	M. Kozak, B. Dzieza
Approved	A. Sundelin
Revision	R-0: first issue

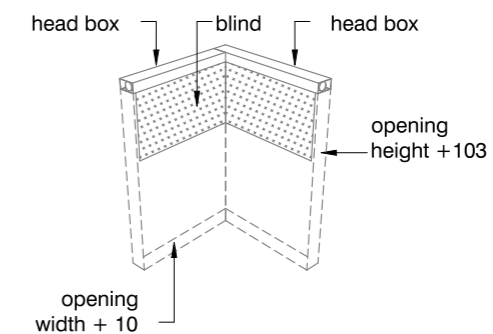


PRODUCT REFERENCE

product series flange location

Blindspace S100x100 I

box front size depth of the box



Print date	2019-09-27
Print file	blindspace installation s100x100 corner with butted boxes v02.dwg
Page size	ISO A3 420x297
Remarks	

BL'NDSPACE®