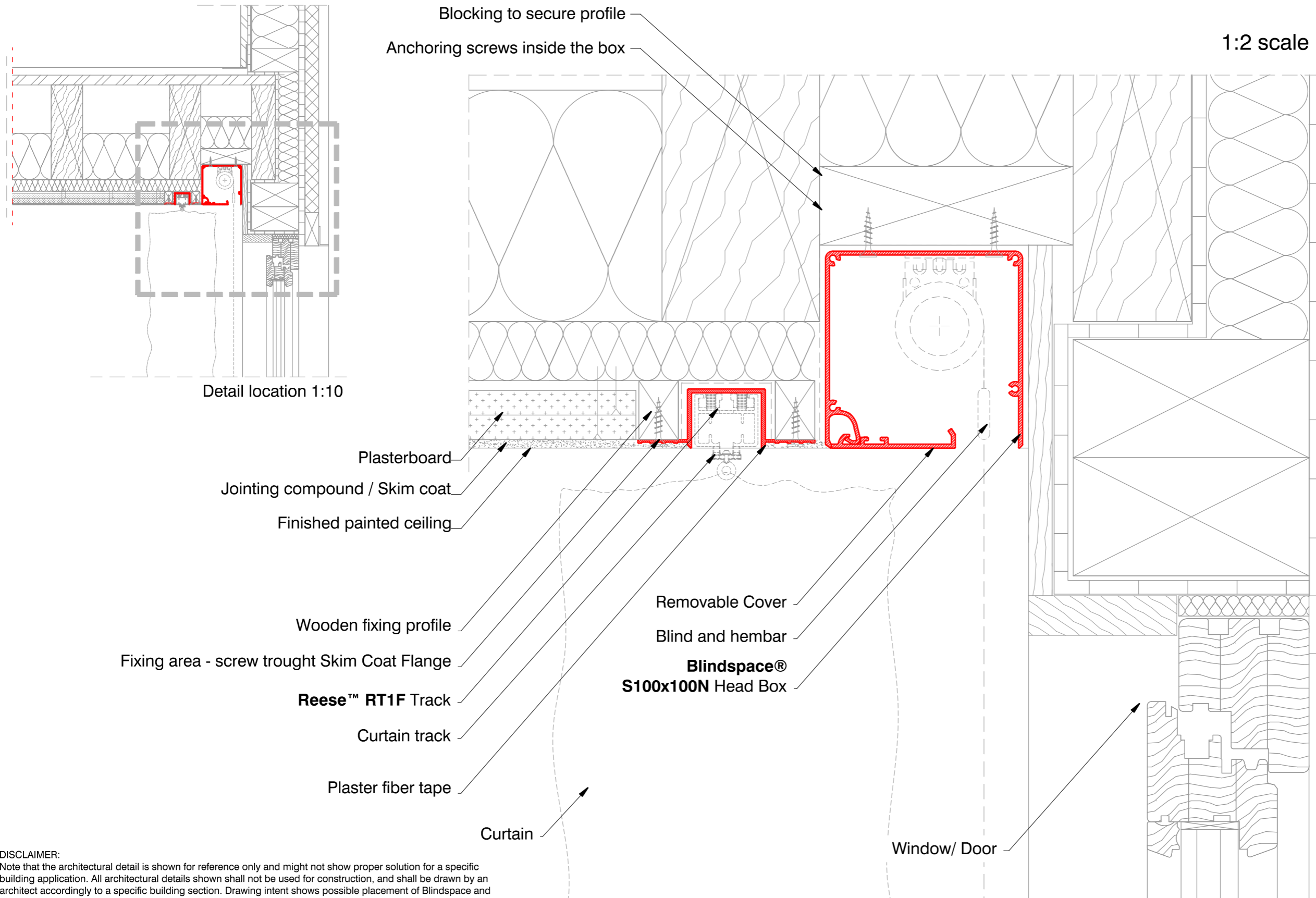


Blindspace® S100x100N and Reese™ RT1F

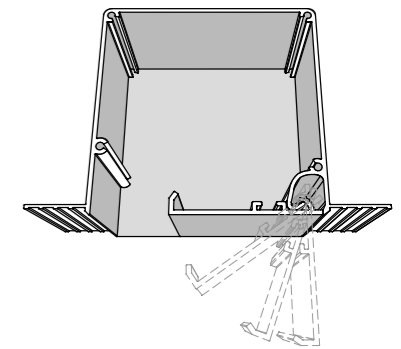
Sample installation detail

INSTALLATION NOTE:
 Make sure there is space for window/door handles.
 Boxes and blinds can also be mirrored in vertical plane.



1:2 scale

Product	Blindspace S100x100 Reese
Description	Recessed aluminium boxes and covers designed to conceal window blinds. Recessed aluminium tracks to recess curtain tracks.
Material	Anodized Aluminium Blindspace: EN 6063 T6 Reese profile: EN 6063 T6
Finishes	- Unfinished for site painting - Primed for site painting - Pre-finished to RAL colour
Blind sizes	Please refer to specific boxes drawing for matching blind sizes.
Installation	Boxes and tracks should be fixed on both sides. The finished plaster level should be flush with chamfered edge. Anchoring countersink screws through skim coat flanges are recommended.
Drawing	Standard Blindspace Boxes S100x100 for Window Blinds with Reese Track Profile
Item name	S100x100N, RT1F
Date	August, 2018
Notes	Dimensions in mm Do not scale from drawing
Drawn by	M. Kozak, B. Dzieza
Approved	A. Sundelin
Revision	R-0: first issue



Print date	2018-8-21
Print file	blindspace installation s100x100 reese v09.dwg
Page size	ISO A3 420x297
Remarks	

DISCLAIMER:
 Note that the architectural detail is shown for reference only and might not show proper solution for a specific building application. All architectural details shown shall not be used for construction, and shall be drawn by an architect accordingly to a specific building section. Drawing intent shows possible placement of Blindspace and Reese products within generic wood frame building.