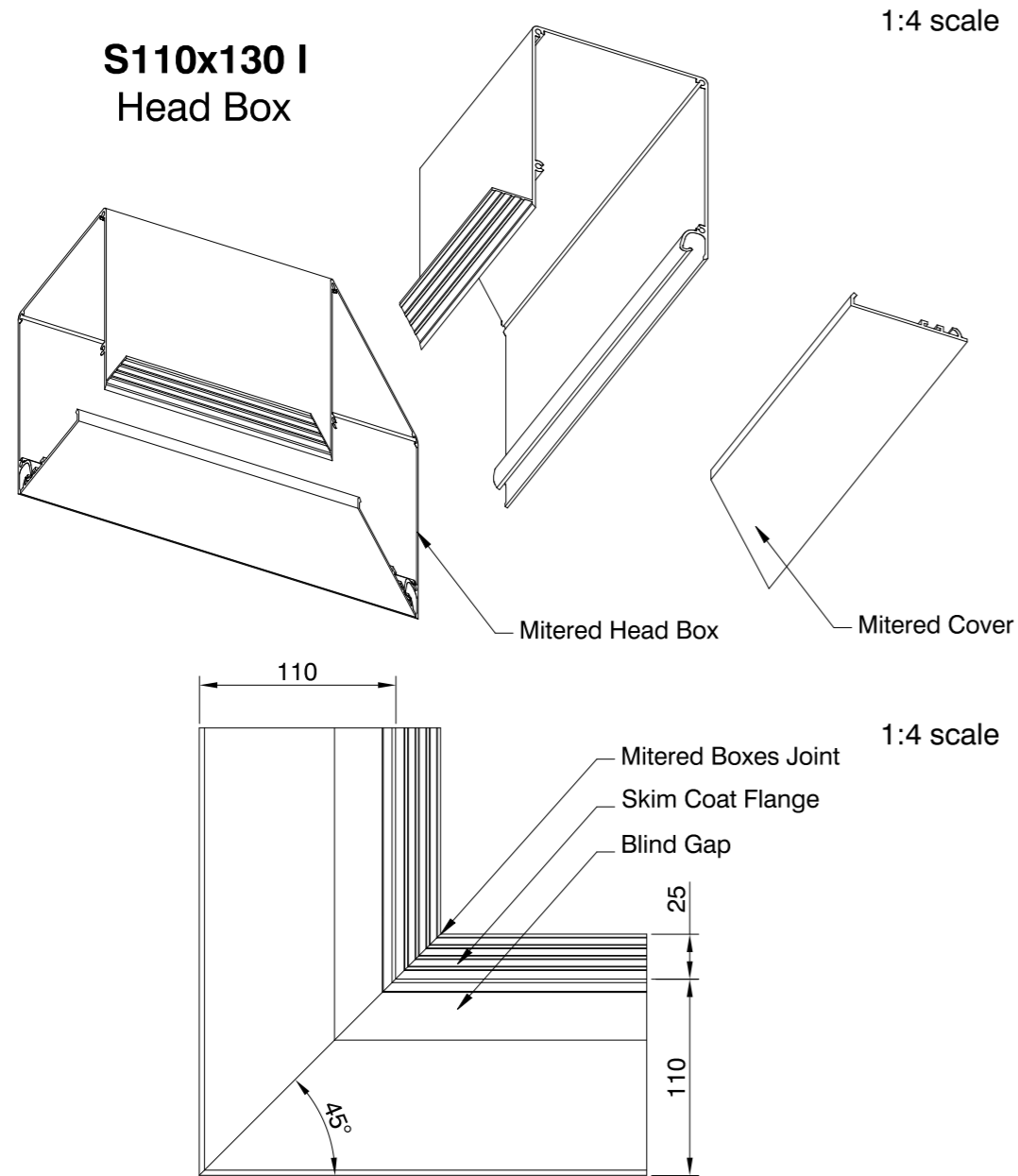


# Blindspace® S110x130

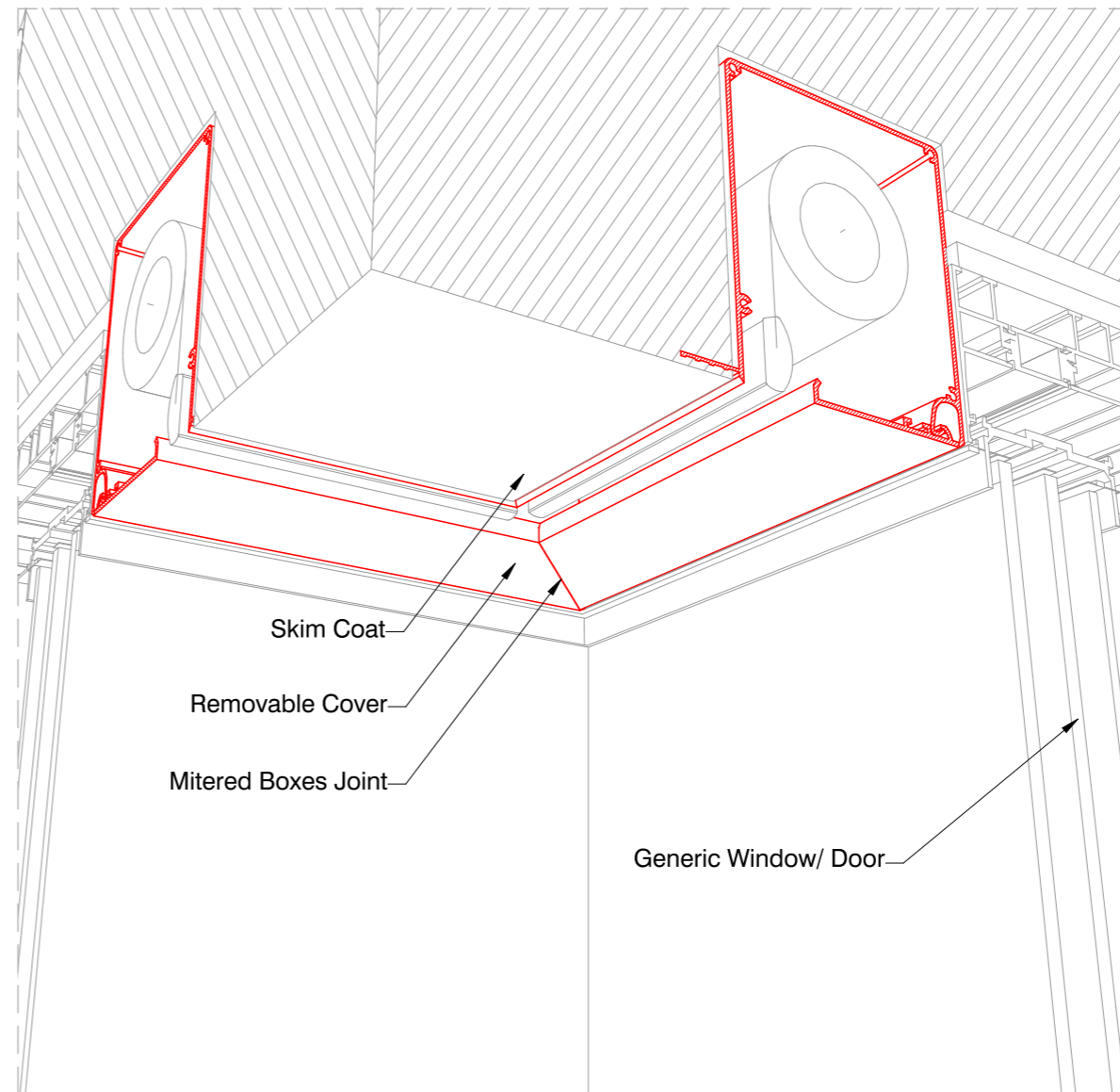
## sample installation with MITERED BOXES AND COVERS

Boxes and covers can be provided mitered to a specific degree or cut at site  
 No other adjustments of boxes or covers, are needed.  
 Shown S100x100l with skim coat flange and gap both towards room side.

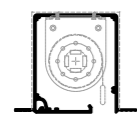


### SAMPLE INSTALLATION DETAIL

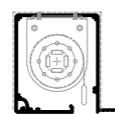
no scale, perspective



### SKIM COAT FLANGES LOCATION OPTIONS



Regular - R



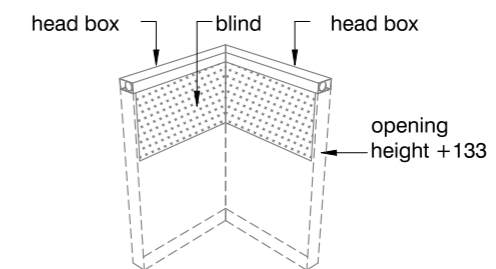
Idle Corner Flange - I

**CAUTION:** Blindspace don't recommend mitred boxes and covers when blinds are to be installed towards the window as boxes, hinges and covers may need adjustments.

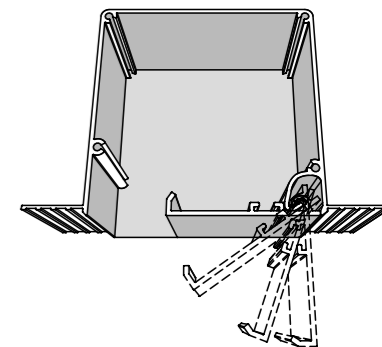
**DISCLAIMER:**  
 Note that the architectural detail is shown for reference only and might not show proper solution for a specific building application.  
 All architectural details shown shall not be used for construction, and shall be drawn by an architect accordingly to a specific building section.  
 Drawing intent shows possible placement of Blindspace® and/or Reese™ products within generic drywall application.

### PRODUCT REFERENCE

product series → flange location  
**Blindspace S110x130 I**  
 box front size ↑ depth of the box



Product	Blindspace S110x130 Mitered
Description	Recessed extruded aluminium boxes and covers designed to conceal window blinds.
Material	Anodized Aluminium, grade: EN 6063 T6
Finishes	- Unfinished for site painting - Primed for site painting - Pre-finished to RAL colour
Blind sizes	Blind Sizes to fit inside the box: Size depending on roller blind, fabric and hembar selection. Mitered details does not affect opening size. Please refer to specific drawings.
Installation	Boxes should be fixed on both sides. The finished plaster level should be flush with chamfered edge. Anchoring countersink screws through skim coat flanges are recommended.
Drawing	Standard Blindspace Boxes S110x130 Mitered Sample Instalation
Item name	S110x130I
Date	September, 2019
Notes	Dimensions in mm Do not scale from drawing
Drawn by	M. Kozak, B. Dzieza
Approved	A. Sundelin
Revision	R-0: first issue



Print date	2019-09-27
Print file	blindspace installation s110x130 corner with mitered boxes v02.dwg
Page size	ISO A3 420x297
Remarks	